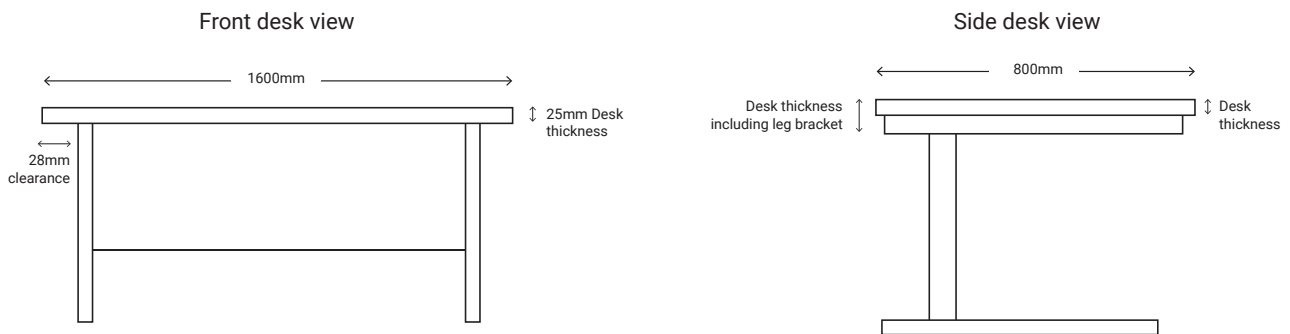




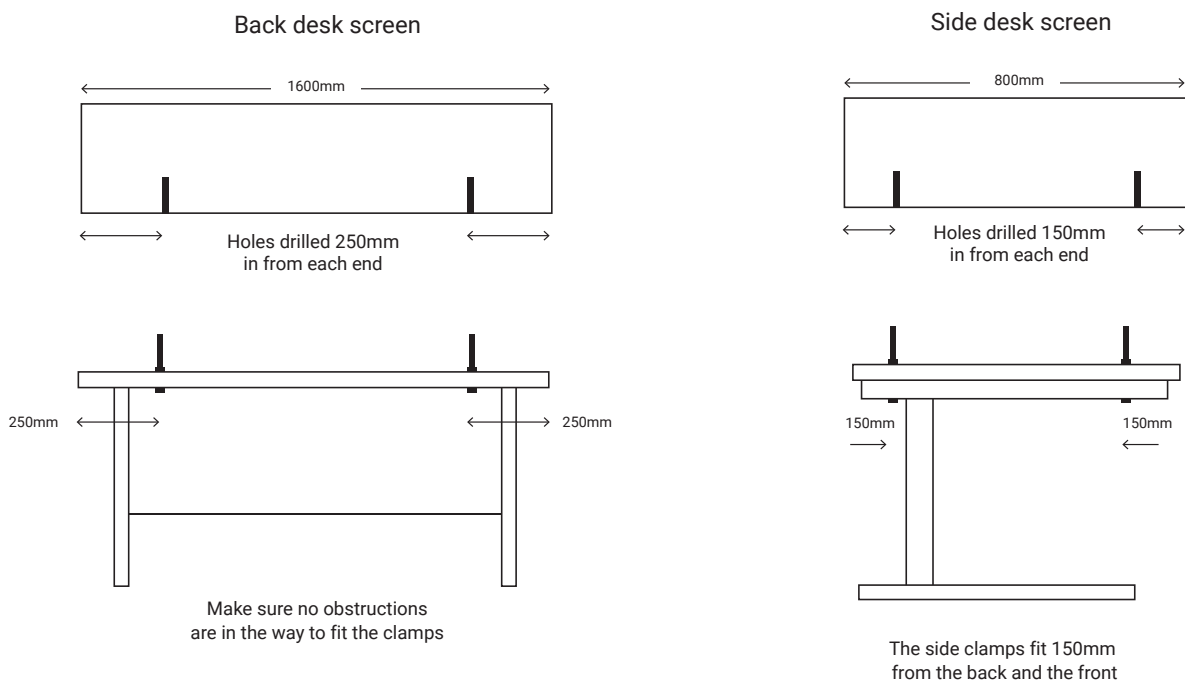
## Thickness of the Desk

When measuring your desk you need to make sure that not only is the thickness of the desk is considered but also take into account the leg frame of the desk.



## Obstructions of Clamp Positions

If you are ordering a desk screen with a widths of 1000mm, we will drill holes for the clamps 150mm in from each end. On desk screens that are over 1000mm wide, we will drill the holes 250mm in from each end. So when you are measuring your desk ensure that the leg brackets or leg will not block where the clamps will need to be fitted.



## Monitor Arms

If your team has a monitor arms attached to the desk please ensure you measure where they sit and whether the clamps will be able to fit around these.