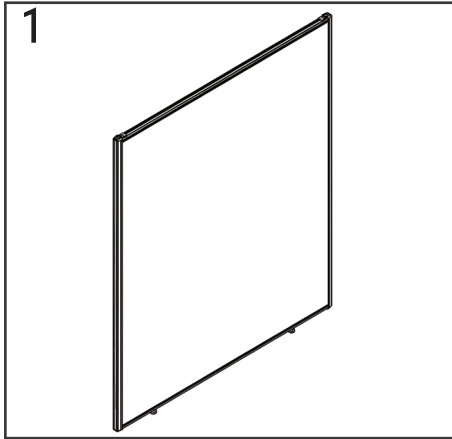


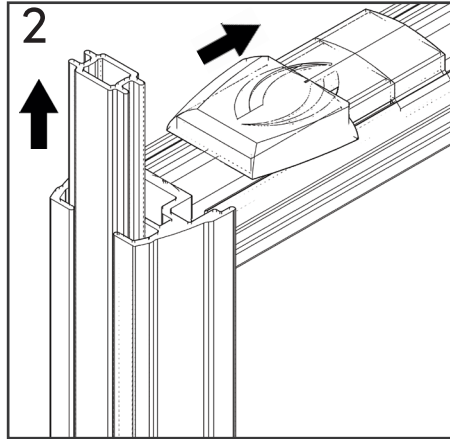
INSTALL GUIDE

Disc foot

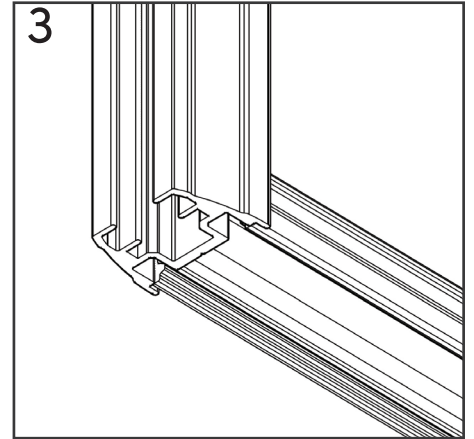
Compatible with: Origin+



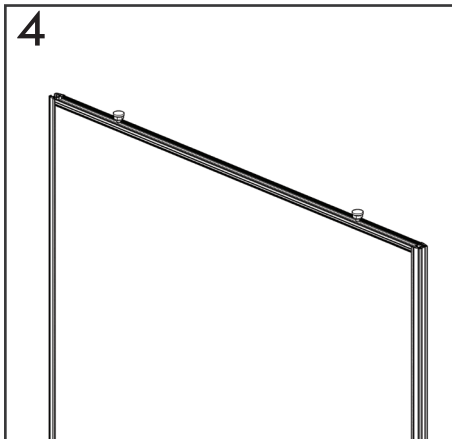
Carefully unwrap screen.



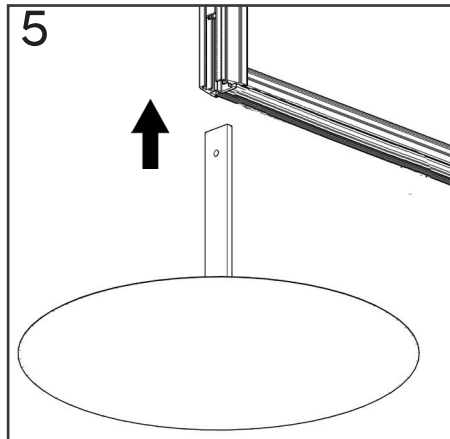
Slide back top cap for one side of screen & remove all the link.



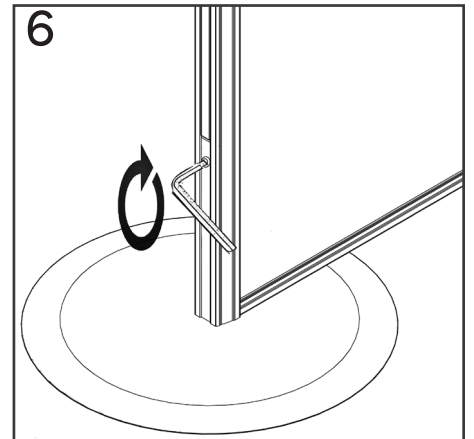
Remove bottom caps on either end of the screen.



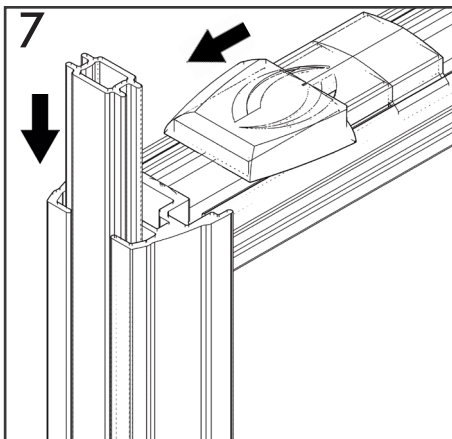
Unscrew and remove height adjusters.



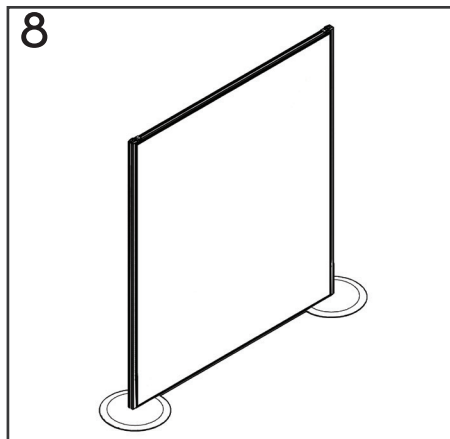
Remove grub screw from foot and slide spigot up through the void in the side trim of the screen.



Re-insert grub screw into foot spigot using a hex key and tighten until foot does not move, ensuring angle of foot is as shown above.



Slide linking back down side trim & re-position top cap.



Repeat to fit foot to the other end of the screen as above.